

EVACUATED INTEGRATED



Solar  Z

*THE LATEST
TECHNOLOGY*



SOLAROZ SPLIT SYSTEM



STAINLESS STEEL TANKS 316



MODEL	TUBES	CAPACITY	WEIGHT DRY	FOOT PRINT cm
SPB 58/1800-20	20 58x1800mm	200 LITRES 50kgs	72kg collector	175w x 204L
SPB 58/1800-24	24 58x1800mm	250 LITRES 55kgs	88kg collector	207w x 204L
SPB 58/1800-30	30 58x1800mm	300 LITRES 72kgs	110kg collector	255w x 204L

SERIOUS HOT WATER



SBZ series

Inner tank	Stainless 316 [1.5mm]
Insulation layer	Polyurethane foam 55mm
Outer tank	Colorbond white or SS
Frame	Stainless 304 [1.2mm]
Evacuated tube	Borosilicate Glass 2mm
Tube type	3 target
Heating Element	2 kw



FEATURES

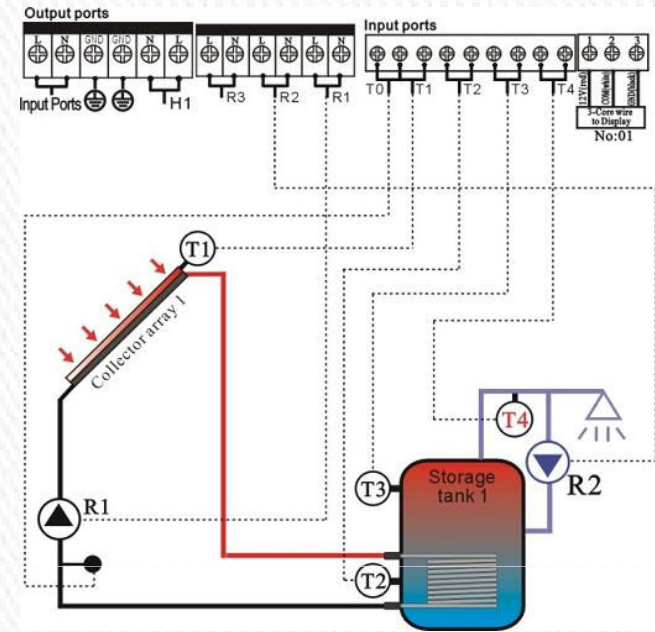
- 1) Pressurized tank, Stainless steel 316.
- 2) Reliable and efficient evacuated tubes.
- 3) Larger manifolds with better insulation.
- 4) Easy installation Multi angle frames available.
- 5) Low maintenance .
- 6) Stable solar conversion during the day.
- 7) Brass pump & Fully programmable system controller.
- 8) Frost tolerant tested to -25C.



SOLAR0Z STC VALUES

	Zone 1	Zone 2	Zone 3	Zone 4





SERIOUS HOT WATER